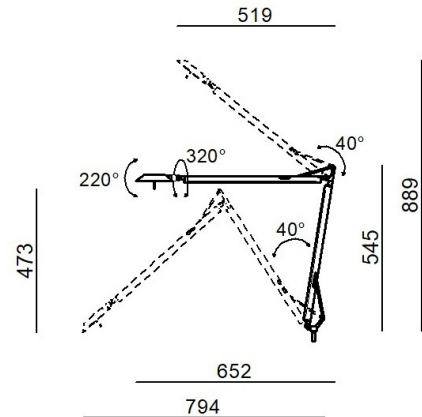




Wall Lights - Table Lamps | 230-240 V
32 topLED 7 W DC - 8 W AC | CRI 90
CZ003IBBMDI



Technical data	
Installation position	Wall lights - Floor
Installation environment	Indoor
Light Source	LED
Circuit structure	topLED
Optics	Diffused
Light emission direction	downward
Nominal power	7 W DC
Total Power	8 W
Source lumens	947 lm
Nominal input voltage	220 - 240 V AC
Input voltage range	230 - 240 V AC
Frequency	50 - 60 Hz
CCT / Tone	2700 K
Colour rendering index	90 Ra
C.C. / C.V.	AC
Safety class	2
IP	IP20
Glow wire test	850°
Direct mounting on normally flammable surfaces	Yes
CE	Yes
Driver included	Driver
Dimmable article	No
Directional	No
Tilting	No
Walk-over	No
Drive-over	No
Cable included	Yes
Electric socket	Type F
Cable length	2.7 m
Resin potting	No
Type of light emission	Single emission
Net weight	0.725 Kg
Electrostatic discharge protection	No
Surge protection	No

Finishing casing	
Material	Aluminium
Colour	Text Black Ral 9005
Processing	Coating
Finishing diffuser	
Material	PC
Colour	opaline
Finishing base	
Material	Aluminium
Colour	nickel
Processing	Electroplating



Wall Lights - Table Lamps | 230-240 V | 32 topLED 7 W DC - 8 W AC | CRI 90 | Base CZ003IBBMDI

Single emission wall lights or table lamps for indoor application. The super warm white LED light source with a diffused light distribution is composed of 32 topped LEDs with CCT of 2700 K and a CRI 90; the source luminous flux is 947 lm, with a 135.3 lm/W nominal luminous efficacy.

The device body is made of aluminium and features a text black ral 9005 finish, processed by means of coating; the diffuser is made of PC. The ingress protection degree is IP20; the total weight is of 0.725 kg.

The total absorbed power is 8 W. The power supply cable is included and features a 2.7 m length.

The device features protection class II and can be wall lights or floor-mounted.

Compliant with the EN 60598-1 standard and its specific provisions.

Illuminotechnical Features

Light Output Ratio (LOR)	78 %
Source lumens	947 lm
Delivered lumens	744 lm
Consumption	8 W
Luminaire efficacy	93 lm/W
Colour temperature	2700 K
Standard Deviation of Colour Matching	3 Step MacAdam
Colour rendering index	90 Ra
Junction temperature (lighting fixture)	80
Standard Operating Ambient Temperature	25°C

LED Life / Failure Ratio

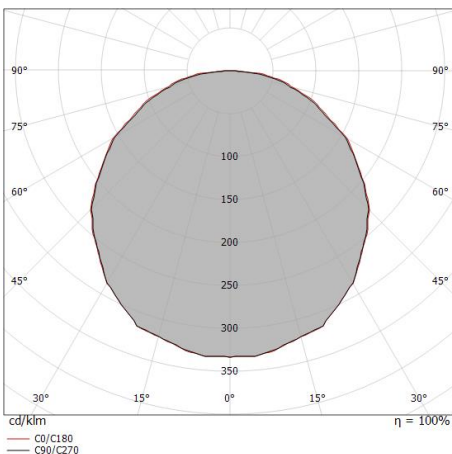
L70 B20 C0 72500h (at Tj 115 Ta 25)

UGR

UGR axial	27.8
UGR transversal	28.1
X=4H Y=8H	S=0.25H
Reflection factor	70/50/20

OPTICAL

C0/C180 optics	114°
Light distribution symmetry	Symmetrical



Distance [m]	Cone diameter [m]	illuminance [lx]
0.5	1.55 1.58	E(0°) 993 E(C90) 79 E(C0) 76
1.0	3.10 3.15	E(0°) 248 E(C90) 20 E(C0) 19
1.5	4.66 4.73	E(0°) 110 E(C90) 9 E(C0) 8
2.0	6.21 6.30	E(0°) 62 E(C90) 5 E(C0) 5
2.5	7.76 7.88	E(0°) 40 E(C90) 3 E(C0) 3
3.0	9.31 9.45	E(0°) 28 E(C90) 2 E(C0) 2

Distance [m] Cone diameter [m] illuminance [lx]

— C0/C180 (Half-peak divergence: 115.2°)
— C90/C270 (Half-peak divergence: 114.4°)



Wall Lights - Table Lamps | 230-240 V | 32 topLED 7 W DC - 8 W AC | CRI 90
CZ003IBBMDI

Components

		Torino - Base	Code <u>CZ004RWHEZZ</u>
		Torino - Base	Code <u>CZ004RBBEZZ</u>
		Torino - Base	Code <u>CZ004RMGEZZ</u>
		Torino - Base	Code <u>CZ004RLUEZZ</u>
		Torino - Base	Code <u>CZ004RGBEZZ</u>
		Torino - Base	Code <u>CZ004RBEEZZ</u>
		Torino - Morsetto	Code <u>CZ005RBBEZZ</u>
		Torino - Morsetto	Code <u>CZ005RLUEZZ</u>



Wall Lights - Table Lamps | 230-240 V | 32 topLED 7 W DC - 8 W AC | CRI 90

CZ003IBBMDI

Components

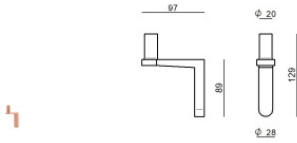
		Torino - Morsetto	Code <u>CZ005RGBEZZ</u>
		Torino - Morsetto	Code <u>CZ005RMGEZZ</u>
		Torino - Morsetto	Code <u>CZ005RBEEZZ</u>
		Torino - Morsetto	Code <u>CZ005RWHEZZ</u>
		Torino - Staffa Applique	Code <u>CZ006RBBEZZ</u>
		Torino - Staffa Applique	Code <u>CZ006RLUEZZ</u>
		Torino - Staffa Applique	Code <u>CZ006RGBEZZ</u>
		Torino - Staffa Applique	Code <u>CZ006RMGEZZ</u>



Wall Lights - Table Lamps | 230-240 V | 32 topLED 7 W DC - 8 W AC | CRI 90

CZ003IBBMDI

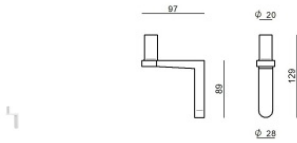
Components



Torino - Staffa Applique

Code

CZ006RBEEZZ



Torino - Staffa Applique

Code

CZ006RWHEZZ